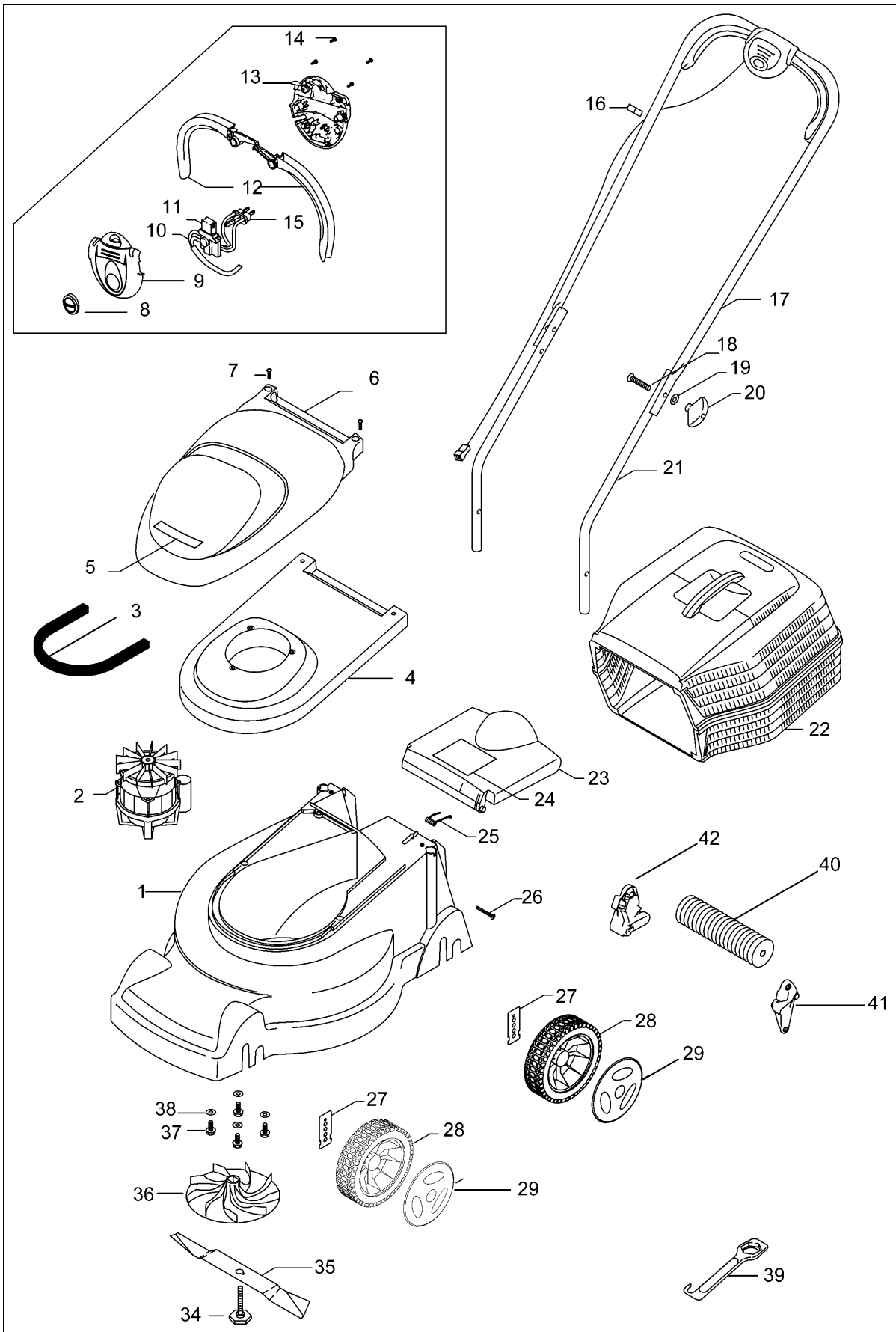


<b>PNC</b>	<b>Type/Prefix/nd</b>	<b>Model</b>	<b>Market</b>
964722100	1	Flymo Venturer 370	UK

**Number of Pages 1 of 3**

<b>Factory: FLM - Aycliffe</b>	<b>Product Group: OM 78</b>	
<b>Publication Number: AP0407006</b>	<b>Electric Wheeled</b>	
<b>Publication Date: 19/07/04</b>	<b>Sub Group: 7891</b>	



Item	Part Number	Description	Qty	Item	Part Number	Description	Qty
1	510688868	Deck	1	34	513760801	Blade Bolt	1
2	515014700	Motor	1	35	512794100	Blade	1
3	513974000	Filter	1	36	511839500	Impeller	1
4	510695100	Mid Cowl	1	37	513909600	Screw	4
5	513107701	Label Model	1	38	514630900	Washer	4
6	510695000	Cowl	1	39	512793300	ABS Spanner	1
7	514992301	Screw	2	40	512767800	Roller	1
8	513103064	Button Lock Off	1	41	513973800	Roller Retainer RH	1
9	511945668	Switchbox Upper	1	42	513957900	Roller Retainer LH	1
10	514881454	Lead	1				
11	513861400	Switch	1				
12	511945964	Lever	2				
13	510703168	Switchbox Lower	1				
14	514667200	Screw	4				
15	512769600	Pin Retainer	1				
16	513857401	Cable Clip	1				
17	512792768	Handle Upper	1				
18	51499801	Bolt	2				
19	514026600	Washer	2				
20	512815564	Wing Knob	2				
21	511947068	Handle Lower	2				
22	510694300	Grassbox Assembly	1				
23	510688964	Safety Flap	1				
24	513858700	Label Warning	1				
25	513938500	Spring	1				
26	514992301	Screw	2				
27	513938600	Plate Retainer	4				
28	512794901	Wheel & Tyre	4				
29	512753064	Hub Cap	4				
30	512798400	Quickset Assy LH	2				
31	512798500	Quickset Assy RH	2				
32	514997800	Screw	8				
33	513994100	Wheel Adaptor	4				